

## Features

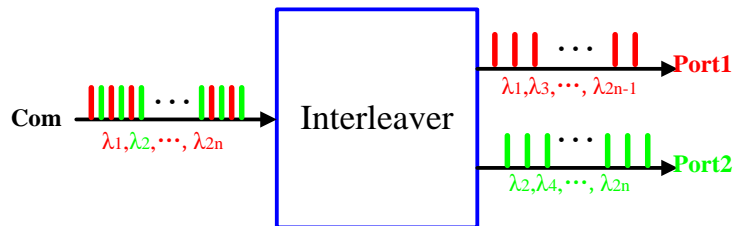
- Flat & wide passband with deep isolation
- Low IL and PDL
- Athermal and robust
- Hermetically sealed package

## Applications

- Network capacity expansion
- DWDM system
- Metro/Long-haul systems of 40Gb/s network



## Function Diagram



## Specifications

Parameter	Unit	Minimum	Typical	Maximum	Notes
Channel spacing	GHz	25			Port: "Com"
		50			Ports: "Port1" and "Port2"
Wavelength range (C-band)	nm	1528.77		1567.95	L band is available
Clear passband	GHz	+/-5			From ITU wavelength
Insertion Loss	dB			2.5	Tested within passband of +/-5GHz, with connectors
Insertion Loss Uniformity	dB			0.5	
Wavelength Accuracy	nm			0.04	
Isolation	dB	20			Tested within passband of +/-5GHz
Passband@0.5dB	GHz	+/-5			
Passband Ripple	dB			0.5	
PMD	ps			0.2	
PDL	dB			0.5	
Return loss	dB	40			
Directivity	dB	45			
Optical Input Power	mW		300		
Operating Temperature	°C	0		+65	
Storage Temperature	°C	-40		85	
Fiber	N/A	SMF-28e+ with 0.9mm loose tube			

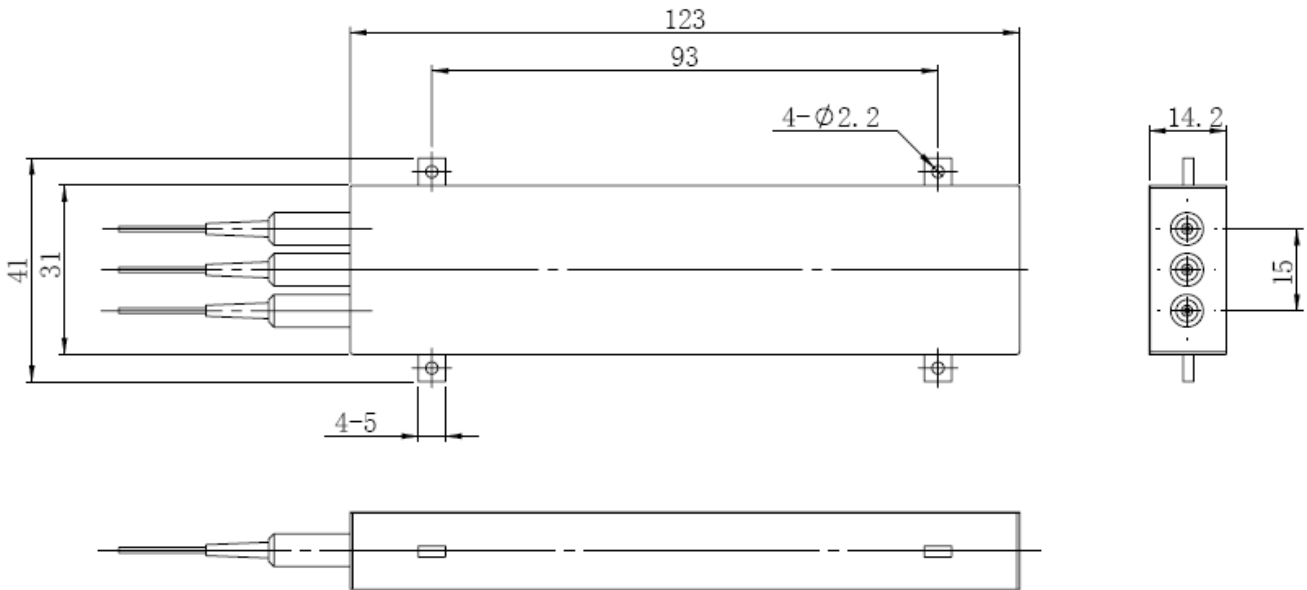
\*. All the specifications are guaranteed over wavelength, polarization and temperature.

\*\* . Specifications are subject to change without notice.

## Mechanical Parameters

Dimensions	123*31*14.2mm
Fiber Length	1+/-0.1m or Customizable
Fiber Connector Type	Customizable

## Dimensions Drawing (unit: mm)



## Ordering Information (Example: ITL-11220)

ITL-	<input type="checkbox"/>	<input type="checkbox"/>	<input type="checkbox"/>	<input type="checkbox"/>	<input type="checkbox"/>
Wavelength	Channel Spacing	Fiber Type	Fiber Length	Connector Type	
1、C Band	1、25/50GHz	1、250um fiber	1、0.5+/-0.1 m	0.No connectors	
2、L Band	2、50/100GHz	2、900um fiber	2、1.0+/-0.1 m	1.FC/UPC	
	3、100/200GHz	3、Others	3、Others	2.FC/APC	
				3.SC/UPC	
				4.SC/APC	
				5.LC/PC	
				6.MU/PC	
				7.Others	

All statements, technical information and recommendations related to the products herein are based upon information believed to be reliable or accurate. However, the accuracy or completeness thereof is not guaranteed, and no responsibility is assumed for any inaccuracies. The user assumes all risks and liability whatsoever in connection with the use of a product or its application. Primanex reserves the right to change at any time without notices the design, specifications, function, fit or form of its products described herein, including withdrawal at any time of a product offered for sale herein. Primanex makes no representations that the products herein are free from any intellectual property claims of others. Please contact Primanex for more information. Primanex and the Primanex logo are trademarks of Primanex Corporation. Other trademarks are the property of their respective holders.